



FORMIKE ELECTRONIC CO.,LTD

PRODUCT SPECIFICATION

TFT LCD MODULE

MODEL NO. : KWH050GZ06-F02

【 】 Preliminary Specification

【 ♦ 】 Finally Specification

CUSTOMER'S APPROVAL	
SIGNATURE:	DATE:

APPROVED BY	PM REVIEWD	PD REVIEWD	PREPARED BY
Ken	Lily	Stephen	Jack

Prepared By :

FORMIKE ELECTRONIC CO.,LTD

Address :Room A818 New Energy Building, NanHai Road, NanShan District, ShenZhen, China. 518054

TEL:(86) 755 88306921,88306931 FAX:(86) 755 88304615

Http:// www.wandisplay.com

- This specification is subject to change without notice.Please contact FORMIKE or it's representative before designing your product based on this specification.

Issued Date: Mar -1-2009

**CONTENTS**

No.	ITEM	PAGE
0	RECORD OF REVISION	3
1	SUMMARY	4
2	FEATURES	4
3	GENERAL SPECIFICATIONS	4
4	ABSOLUTE MAXIMUM RATINGS	4
5	ELECTRICAL CHARACTERISTICS	5
6	DC CHARATERISTICS	6
7	AC CHARACTERISTICS	6~8
8	OPTICAL CHARATERISTIC	9
9	TOUCH PANEL	11
10	INTERFACE	13~14
11	BLOCK DIAGRAM	15
12	QUALITY ASSURANCE	16
13	OUTLINE DRAWING	17
14	PACKAGE INFORMATION	18
15	PRECAUTIONS	19~20

Preliminary



1. SUMMARY

KWH050GZ06-F02 is a transmissive type color active matrix liquid crystal display (LCD) which uses amorphous thin film transistor (TFT) as switching devices. This product is composed of a touch panel, TFT LCD panel, driver ICs, FPC and a backlight unit. The following table described the features of **KWH050GZ06-F01**.

2. FEATURES

High Resolution: 1152,000 Dots (800 RGB x 480).

Application: Portable Navigation

PMP (Personal Multimedia Player), MP4 application product

DVB-S

GAMING

3. GENERAL SPECIFICATIONS

Parameter	Specifications	Unit
Screen Size	5.0(Diagonal)	inch
Display Format	800 RGB x 480	Dot
Active Area	108(H) x64.8(V)	mm
Pixel Pitch	0.135(H) x 0.135(V)	mm
Surface Treatment	Touch panel , 10% haze	
Pixel Configuration	RGB-Stripe	
Outline Dimension	118.5(H) x 77.55 (V) x 3.4 (T)	mm
Weight	TBD	g
View Angle Direction	6 o'clock	
Temperature Range	Operation	-20~70 °C
	Storage	-30~80 °C

Preliminary

4. ABSOLUTE MAXIMUM RATINGS

Item	Symbol	Values		Unit	Condition
		Min.	Max.		
Power Voltage	DVDD	-0.3	+7.0	V	
	AVDD	-0.3	+13.5	V	
Logic Input Signal	Vin	-0.3	AVDD+0.3	V	
Logic Output Signal	Vout	-0.3	+7.0	V	

Note: Device is subject to be damaged permanently if stresses beyond those absolute maximum ratings listed above.

**5. ELECTRICAL CHARACTERISTICS****5.1. Operating conditions:**

Item	Symbol	Values			Unit	Remark
		Min.	Typ.	Max.		
Power Supply	DVDD	2.7	3.3	3.6	V	
	AVDD	6.5	8.4	13.5	V	
Operating Current	I _{DD}	-	TBD	-	mA	
	I _{AVDD}	-	TBD	-	mA	
Frame frequency	f _{Frame}	-	60	-	Hz	
Dot Data Clock	DCLK	-	33.26	-	MHz	
Power Consumption	PLCD	-	TBD	-	mW	

5.2 LED driving conditions

Item	Symbol	Values			Unit	Remark
		Min.	Typ.	Max.		
Power Consumption	PLED	-	TBD	-	mW	
LED Current	I _f	-	40	-	mA	
Backlight Voltage	V _b	-	23.1	-	V	

Note 1 : Ta = 25°C

Note 2 : Brightness to be decreased to 50% of the initial value

6. DC CHARACTERISTICS

Parameter	Symbol	Rating			Unit	Condition
		Min.	Typ.	Max.		
Low level input voltage	V _{IL}	0	-	0.3* DVDD	V	
High level input voltage	V _{IH}	0.7* DVDD	-	DVDD	V	
Analog operating current	I _{AVDD}	-	TBD	TBD	mA	
Logic operating current	I _{DVDD}	-	TBD	TBD	mA	

Preliminary

**7. AC CHARATERISTICS****7.1 AC Timing Characteristics****.Sync mode**

Signal	Item	Symbol	Min	Typ	Max	Unit	Note
CLK	Frequency	F _{CPH}	-	33.26	-	MHZ	
	Period	T _{CPH}	-	30.06	-	ns	
	Pulse duty	T _{CWH}	40	50	60	%	
HS	Period	T _H	-	1056	-	T _{CPH}	
	Pulse width	T _{WH}	1	128	-	T _{CPH}	
	First horizontal data time	T _{HS}	STHD[7:0]+88			T _{CPH}	1
	Active Time	T _{HA}	-	800	-	T _{CPH}	
VS	Period	T _V	-	525	-	T _H	
	Pulse Width	T _{VW}	1	2	-	T _H	
	DEN time	T _{Vs}	STVD[7:0]+8			T _H	2
	Active Time	T _{VA}	-	480	-	T _H	

Note1: T_{HS}+ T_{HA}< T_H,STHD[7:0] Default = 128.

Note2: STVD[7:0] Default = 27.

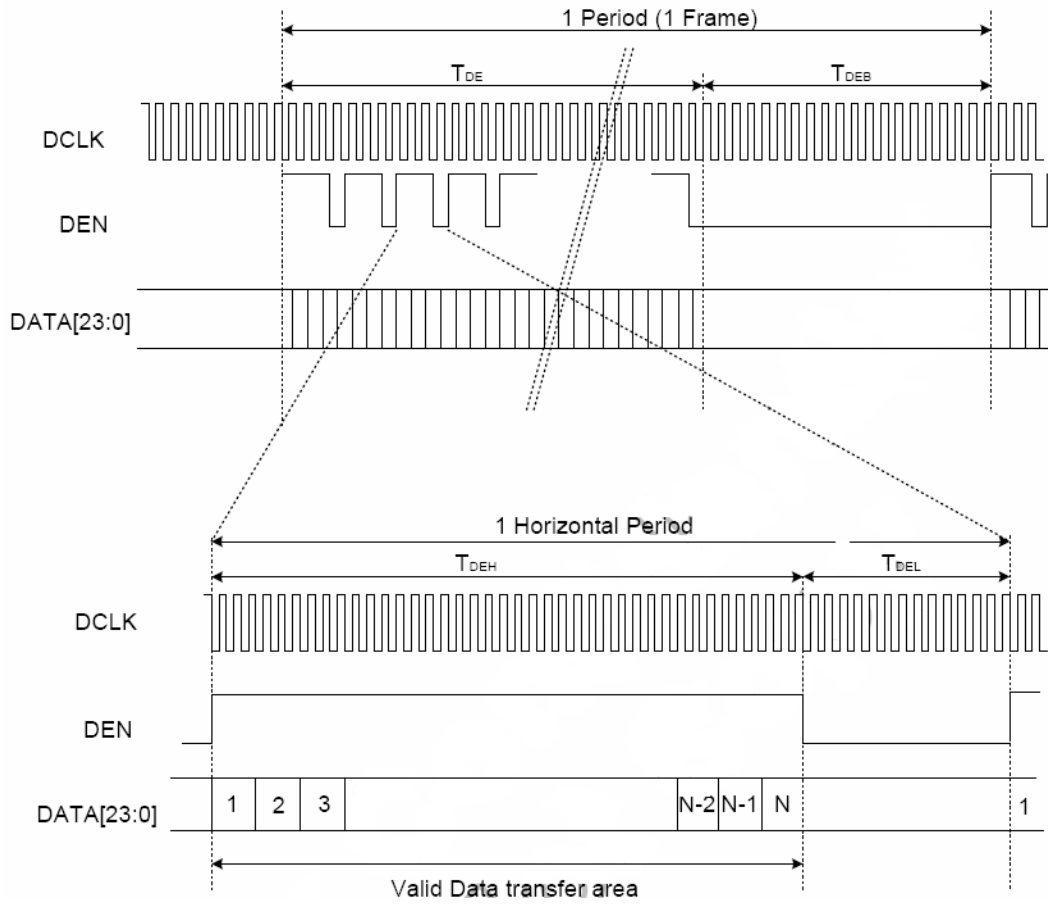
.DEN mode

Signal	Item	Symbol	Min	Typ	Max	Unit	Note
CLK	Frequency	F _{CPH}	-	33.26	-	MHZ	
	Period	T _{CPH}	-	30.06	-	ns	
	Pulse duty	T _{CWH}	40	50	60	%	
DE	Period	T _{DEN} +T _{DEL}	1000	1056	1200	T _{CPH}	
	Pulse width	T _{DH}	-	800	-	T _{CPH}	
	Frame blanking	T _{HS}	10	45	110	T _{DEN} +T _{DEL}	
	Frame width	T _{EP}	-	480	-	T _{DEN} +T _{DEL}	

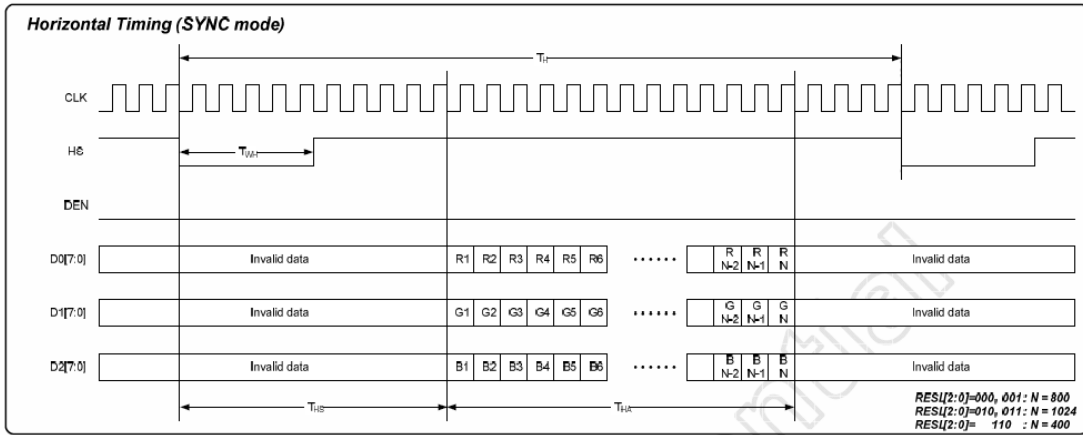
Preliminary



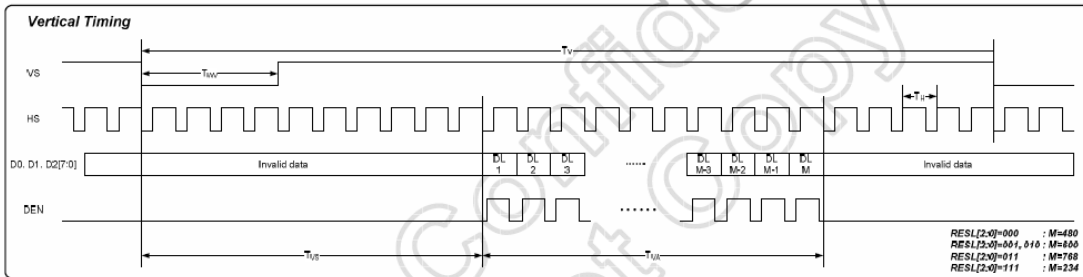
7.2 AC Timing Diagrams



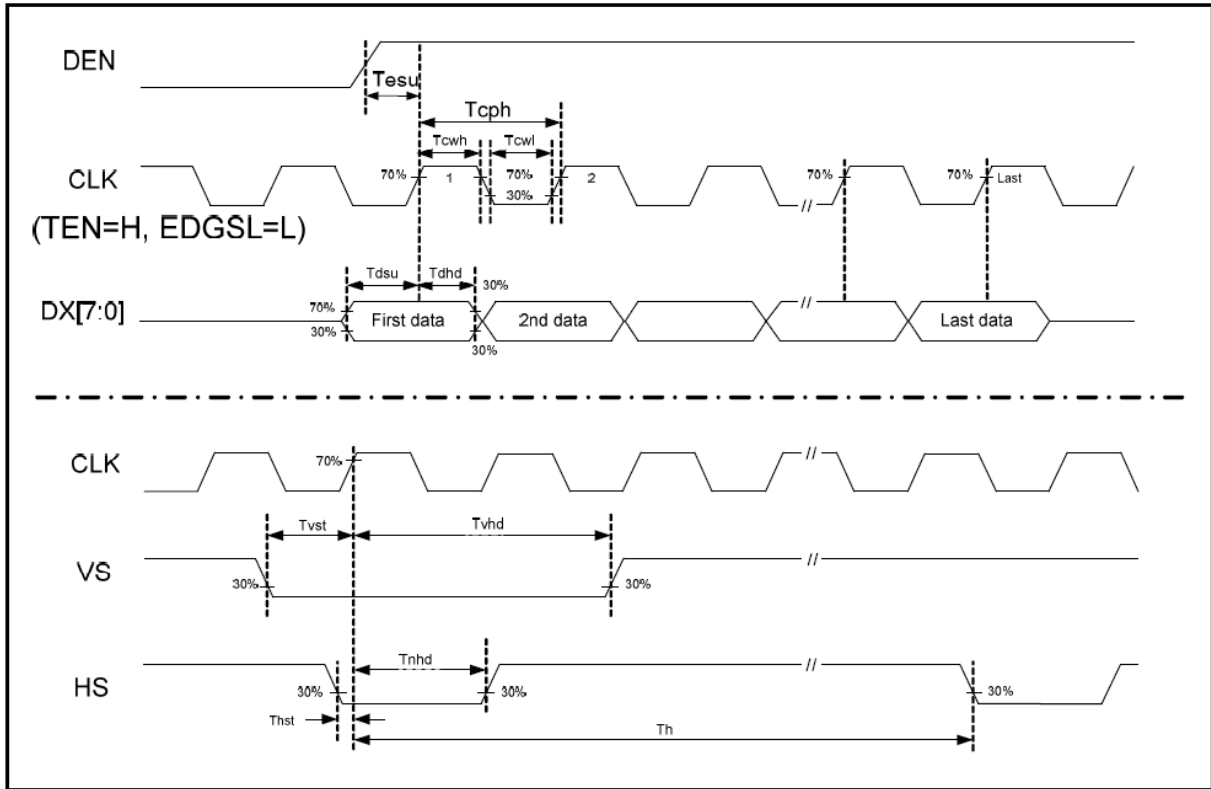
Preliminary



SYNC Mode Horizontal Data Format



SYNC Mode Vertical Data Format

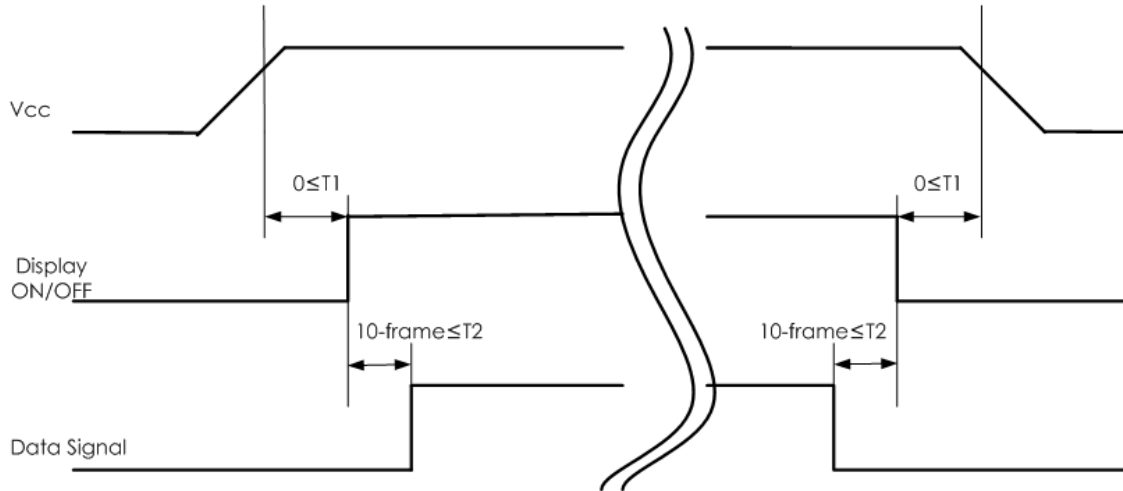


Preliminary



7.3 Power Sequence

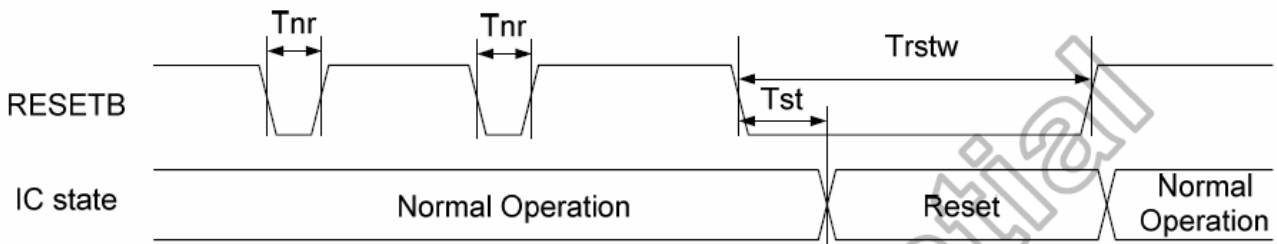
The LCD panel power ON/OFF sequence is as below.



7.4 Reset Function

The driver IC is internally initialized by the global reset signal, RESETB.

PARAMETER	Symbol	Spec.			Unit
		Min.	Typ.	Max.	
RESETB low pulse width	T_{rstw}	10	-	-	μs
Negative noise pulse width	T_{nr}		-	2	μs
Reset start time	T_{st}	2	-		μs



Preliminary



8. OPTICAL CHARACTERISTIC

Item	Symbol	Condition	Min	Typ	Max	Unit	Note
Brightness			250	300	-	cd/m2	
Response time	TR	$\Theta=0$	-	15	-	ms	(2)
	TF		-	35	-	ms	
Contrast ratio	CR	At optimized viewing angle	360	400	-	-	(3)
Color Chromaticity	White	Wx	(0.26)	(0.31)	(0.36)	-	(4)
		Wy	(0.28)	(0.33)	(0.38)		
Viewing Angle	Hor.	ΘR	-	70	-	Degree	(5)
		ΘL	-	70	-		
	Ver.	ϕH	-	60	-		
		ϕL	-	70	-		

Ta=25±2°C, ILED=20mA

Note 1: Definition of viewing angle range

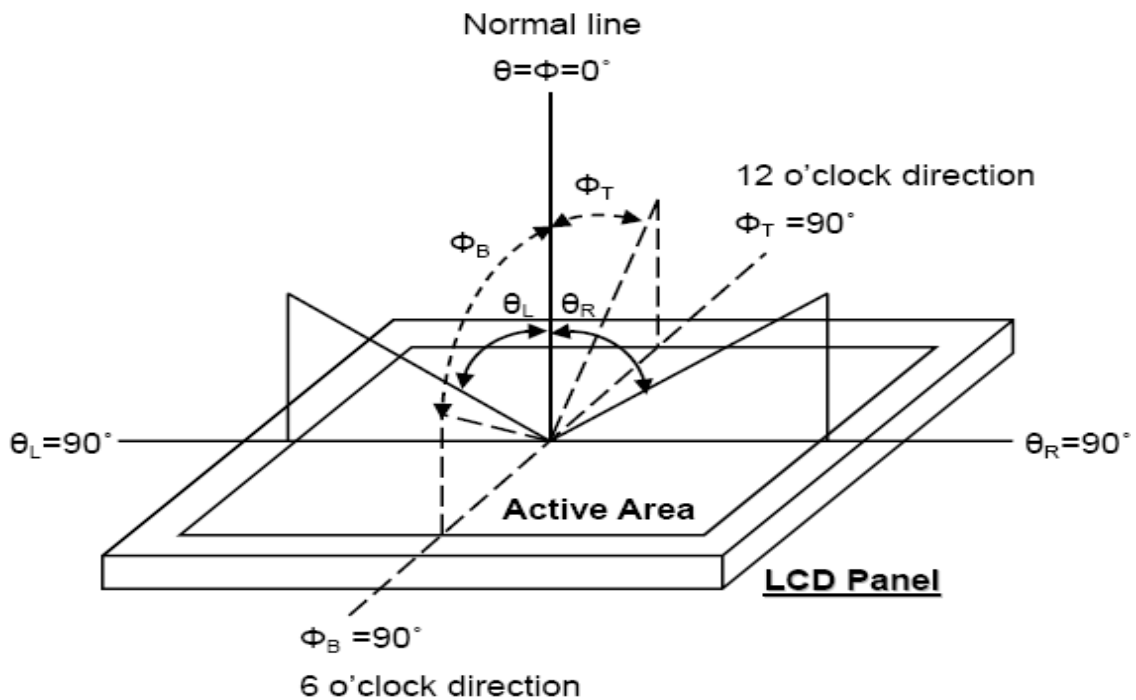


Fig. 8-1 Definition of viewing angle

Note 2: Test equipment setup:

After stabilizing and leaving the panel alone at a driven temperature for 10 minutes, the measurement should be executed. Measurement should be executed in a stable, windless, and dark room. Optical specifications are measured by Topcon BM-7 luminance meter 1.0° field of view at a distance of 50cm and normal direction.

Preliminary

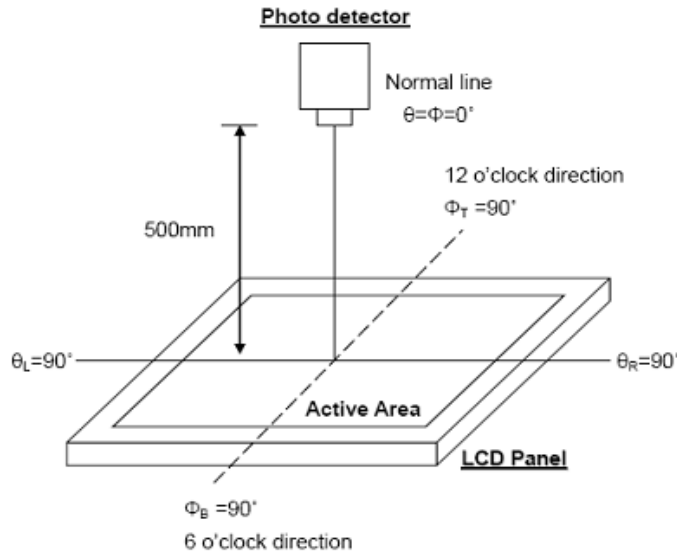


Fig. 8-2 Optical measurement system setup

Note 3: Definition of Response time:

The response time is defined as the LCD optical switching time interval between “White” state and “Black” state. Rise time, T_r , is the time between photo detector output intensity changed from 90% to 10%. And fall time, T_f , is the time between photo detector output intensity changed from 10% to 90%.

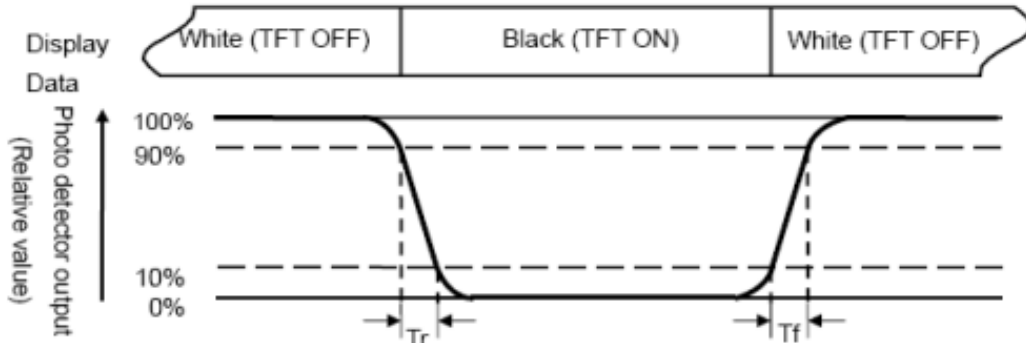


Fig. 3-3 Definition of response time

Note 4: Definition of contrast ratio:

The contrast ratio is defined as the following expression.

$$\text{Contrast ratio (CR)} = \frac{\text{Luminance measured when LCD on the "White" state}}{\text{Luminance measured when LCD on the "Black" state}}$$

Note 5: White $V_i = V_{i50} \pm 1.5V$

Black $V_i = V_{i50} \pm 2.0V$

“±” means that the analog input signal swings in phase with VCOM signal.

“±” means that the analog input signal swings out of phase with VCOM signal.

The 100% transmission is defined as the transmission of LCD panel when all the input terminals



of module are electrically opened.

Note 6: Definition of color chromaticity (CIE 1931)

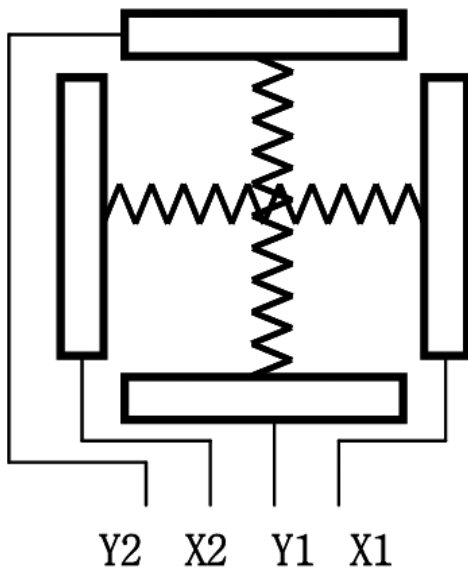
Color coordinates measured at the center point of LCD

Note 7: Measured at the center area of the panel when all the input terminals of LCD panel are electrically opened.

Note 8 : Uniformity (U) = $\frac{\text{Brightness (min)}}{\text{Brightness (max)}} \times 100\%$

9 TOUCH PANEL

9.1 Block diagram



Top View

X : Upper electrode
 Y : Lower electrode

Preliminary

Pin	Symbol	I/O	Function
1	X1	Right	Right electrode - differential analog
2	Y1	Bottom	Bottom electrode - differential analog
3	X2	Left	Left electrode – differential analog
4	Y2	Top	Top electrode - differential analog

**9.2 Absolute maximum ratings**

Item	Symbol	Values-		Unit	Condition
		Min	Max		
Power Voltage	Vcc	-0.3	5.0	V	GND=0
Input Singal Voltage	Vi	-0.3	Vcc+0.3	V	
LED Reverse Voltage	Vr	-	TBD	V	One LED
LED Forward Current	Ir	-	TBD	mA	One LED
LED Power Dissipation	Pd	-	TBD	mW	One LED

9.3 Electrical characteristics

Item	Min.	Typ.	Max.	Unit	Note
Linearity	-	-	1.5	%	
Terminal Resistance	200	-	900	Ω	X (Film side)
	200	-	900	Ω	Y (Film side)
Insulation resistance	20	-	-	M Ω	At DC 25V, 60sec
Voltage	-	-	5	V	DC
Chattering	-	-	10	ms	ON/OFF
Transparency	-	80	-	%	Non-glare
Haze rate	-	-	10	%	

Preliminary

Note: Do not operate it with a thing except a polyacetal pen (tip R0.8mm or less) or a finger, especially those with hard or sharp tips such as a ball point pen or a mechanical pencil.

9.4 Mechanical characteristics

Item	Min.	Typ.	Max.	Unit	Note
Activation force	-	-	100	g	(1)
Durability-surface scratching	Write 100,000	-	-	characters	(2)
Durability-surface pitting	1,000,000	-	-	touches	(3)
Surface hardness	3	-	-	H	JIS K5400, ASTM D3363

Note1: Stylus pen Input : R0.8mm polyacetal pen or Finger

Note2: Measurement for Surface area

- Scratch 100,000 times straight lines on the Film with a stylus change every 20,000times.
- Force= 150gf. Speed= 60mm/sec.
- Stylus= R0.8 polyacetal tip.

Note3: Pit 1,000,000 times on the Film with a R8.0 silicon rubber

**10. INTERFACE****10.1. LCM PIN Definition**

Pin	Symbol	I/O	Function	Remark
1	VLED-	I	LED Ground	
2	VLED+	I	LED Power	
3	DGND	I	Digital Ground	
4	VDD	I	Power Supply (+3.3 V)	
5	R0	I	Red Data Bit0	
6	R1	I	Red Data Bit1	
7	R2	I	Red Data Bit2	
8	R3	I	Red Data Bit3	
9	R4	I	Red Data Bit4	
10	R5	I	Red Data Bit5	
11	R6	I	Red Data Bit6	
12	R7	I	Red Data Bit7	
13	G0	I	Green Data Bit0	
14	G1	I	Green Data Bit1	
15	G2	I	Green Data Bit2	
16	G3	I	Green Data Bit3	
17	G4	I	Green Data Bit4	
18	G5	I	Green Data Bit5	
19	G6	I	Green Data Bit6	
20	G7	I	Green Data Bit7	
21	B0	I	Blue Data Bit0	
22	B1	I	Blue Data Bit1	
23	B2	I	Blue Data Bit2	
24	B3	I	Blue Data Bit3	
25	B4	I	Blue Data Bit4	
26	B5	I	Blue Data Bit5	
27	B6	I	Blue Data Bit6	
28	B7	I	Blue Data Bit7	
29	DGND	I	Digital Ground	
30	DCLK	I	Dot Data Clock	
31	N.C		N.C	
32	Hsync	I	Horizontal Sync Input	
33	Vsync	I	Vertical Sync Input	
34	DE	I	Data Enable Control	Note 1
35	N.C		N.C	

Preliminary



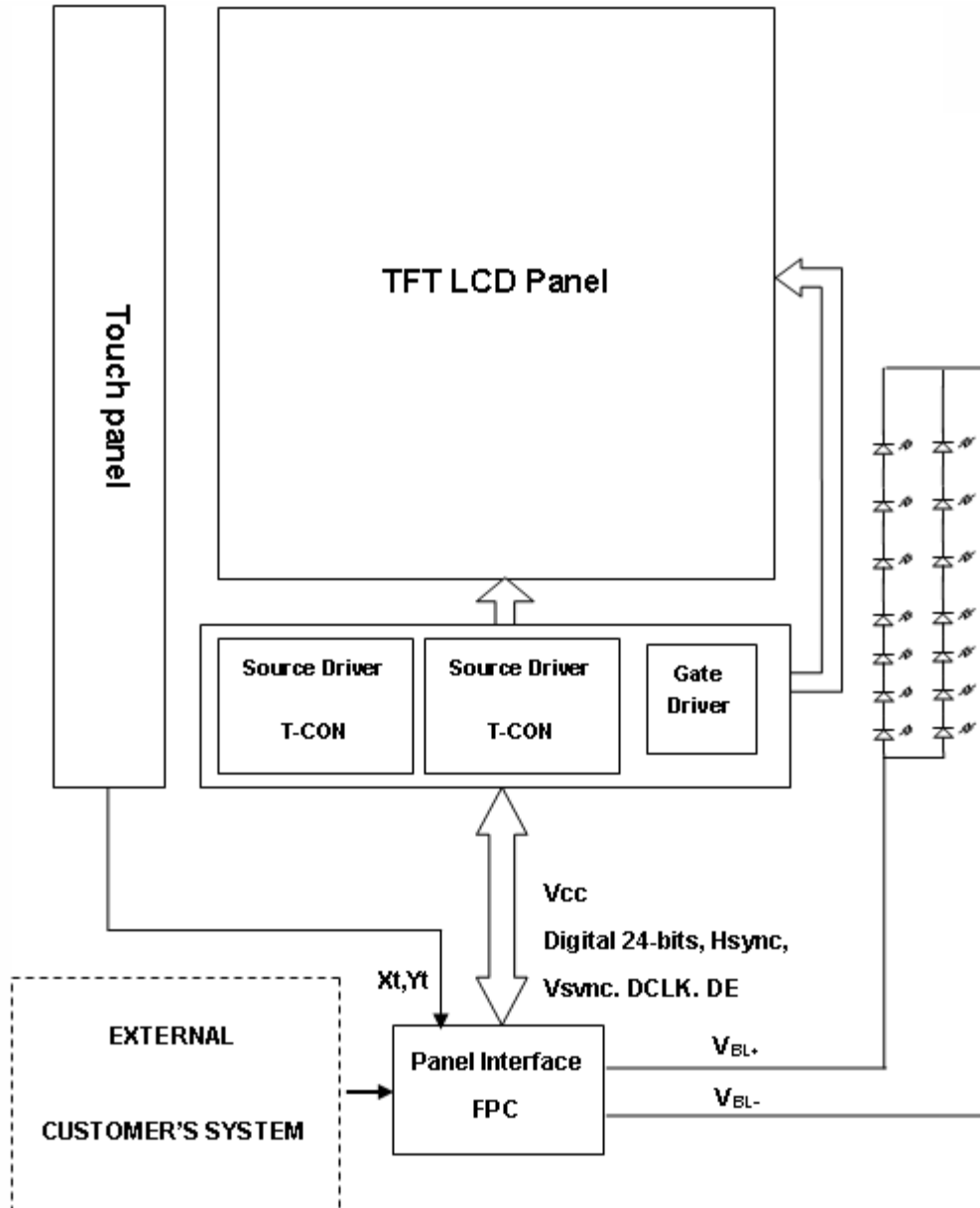
36	DGND	I	Digital Ground	
37	X1	I	Right (TP)	
38	Y1	I	Bottom(TP)	
39	X2	I	Left(TP)	
40	Y2	I	Up(TP)	

Note1: DE=" H ": data can be access, DE=" L ": data cannot be access

Preliminary



11. BLOCK DIAGRAM



Preliminary

**12. QUALITY ASSURANCE**

No.	Test Items	Test Condition	REMARK
1	High Temperature Storage Test	Ta=80°C Dry 240h	
2	Low Temperature Storage Test	Ta=-30°C Dry 240h	
3	High Temperature Operation Test	Ta=70°C Dry 240h	
4	Low Temperature Operation Test	Ta=-20°C Dry 240h	
5	High Temperature and High Humidity Operation Test	Ta=60°C 90%RH 240h	
6	Electro Static Discharge Test	Panel surface / top case Contact / Air : ±6KV / ±8KV , 150pF , 330Ω	Non-operating
7	Shock Test (non-operating)	Shock Level : 100G Waveform : Half Sinusoidal Wave Shock Time : 6ms Number of Shocks : 3 times for each ±X, ±Y, ±Z direction	
8	Vibration Test (non-operating)	Frequency Range: 10~55Hz. Amplitude:1.5 mm. Sweep Time: 11min. Test Period : 6 cycles for each direction of X,Y,Z	
9	Thermal Shock Test	-25°C (0.5Hr) ~ +70°C (0.5Hr) for 200 cycles	

Preliminary

Note1: The test samples have recovery time for 2 hours at room temperature before the function check. In the standard conditions, there is no display function NG issue occurred.

Note2: All the cosmetic specifications are judged before the reliability stress.



15. PRECAUTIONS

Please pay attention to the following when you use this TFT LCD module.

15.1 MOUNTING PRECAUTIONS

- (1) You must mount a module using arranged in four corners or four sides.
- (2) You should consider the mounting structure so that uneven force (ex. Twisted stress) is not applied to the module.
And the case on which a module is mounted should have sufficient strength so that external force is not transmitted directly to the module.
- (3) Please attach a transparent protective plate to the surface in order to protect the polarizer. Transparent protective plate should have sufficient strength in order to the resist external force.
- (4) You should adopt radiation structure to satisfy the temperature specification.
- (5) Acetic acid type and chlorine type materials for the cover case are not describe because the former generates corrosive gas of attacking the polarizer at high temperature and the latter causes circuit break by electro-chemical reaction.
- (6) Do not touch, push or rub the exposed polarizers with glass, tweezers or anything harder than HB pencil lead. And please do not rub with dust clothes with chemical treatment. Do not touch the surface of polarizer for bare hand or greasy cloth. (Some cosmetics are determined to the polarizer)
- (7) When the surface becomes dusty, please wipe gently with adsorbent cotton or other soft materials like chamois soaks with petroleum benzene. Normal-hexane is recommended for cleaning the adhesives used to attach front / rear polarizers. Do not use acetone, toluene and alcohol because they cause chemical damage to the polarizer.
- (8) Wipe off saliva or water drops as soon as possible. Their long time contact with polarizer causes deformations and color fading.
- (9) Do not open the case because inside circuits do not have sufficient strength.

15.2 OPERATING PRECAUTIONS

- (1) The spike noise causes the mis-operation of circuits. It should be lower than following voltage : $V=\pm 200\text{mV}$ (Over and under shoot voltage)
- (2) Response time depends on the temperature. (In lower temperature, it becomes longer.)
- (3) Brightness depends on the temperature. (In lower temperature, it becomes lower)
And in lower temperature, response time (required time that brightness is stable after turned on) becomes longer.
- (4) Be careful for condensation at sudden temperature change. Condensation makes damage to polarizer or electrical contacted parts. And after fading condensation, smear or spot will occur.
- (5) When fixed patterns are displayed for a long time, remnant image is likely to occur.
- (6) Module has high frequency circuits. Sufficient suppression to the electromagnetic interference shall be done by system manufacturers. Grounding and shielding methods may be important to minimize the interference.

15.3 ELECTROSTATIC DISCHARGE CONTROL

Since a module is composed of electronic circuits, it is not strong to electrostatic discharge. Make certain that treatment persons are connected to ground through wristband etc. And don't touch interface pin directly.

15.4 PRECAUTIONS FOR STRONG LIGHT EXPOSURE

Strong light exposure causes degradation of polarizer and color filter.

15.5 STORAGE

When storing modules as spares for a long time, the following precautions are necessary.

- (1) Store them in a dark place. Do not expose the module to sunlight or fluorescent light. Keep the temperature between 5°C and 35°C at normal humidity.

- (2) The polarizer surface should not come in contact with any other object. It is recommended that they be stored in the container in which they were shipped.

15.6 HANDLING PRECAUTIONS FOR PROTECTION FILM

- (1) When the protection film is peeled off, static electricity is generated between the film and polarizer. This should be peeled off slowly and carefully by people who are electrically grounded and with well ion-blown equipment or in such a condition, etc.
- (2) The protection film is attached to the polarizer with a small amount of glue. Is apt to remain on the polarizer. Please carefully peel off the protection film without rubbing it against the polarizer.
- (3) When the module with protection film attached is stored for a long time, sometimes there remains a very small amount of glue still on the polarizer after the protection film is peeled off.
- (4) You can remove the glue easily. When the glue remains on the polarizer surface or its vestige is recognized, please wipe them off with absorbent cotton waste or other soft material like chamois soaked with normal-hexane.

15.7 CAUTIONS FOR INSTALLING AND ASSEMBLING

Bezel edge must be positioned in the area between the Active area and View area. The bezel may press the touch screen and cause activation if the edge touches the active area. A gap of approximately 0.5mm is needed between the bezel and the top electrode. It may cause unexpected activation if the gap is too narrow. There is a tolerance of 0.2 to 0.3mm for the outside dimensions of the touch panel and tail. A gap must be made to absorb the tolerance in the case and connector.

